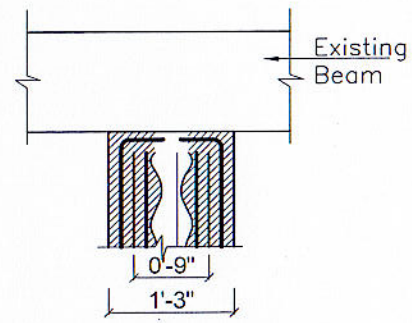
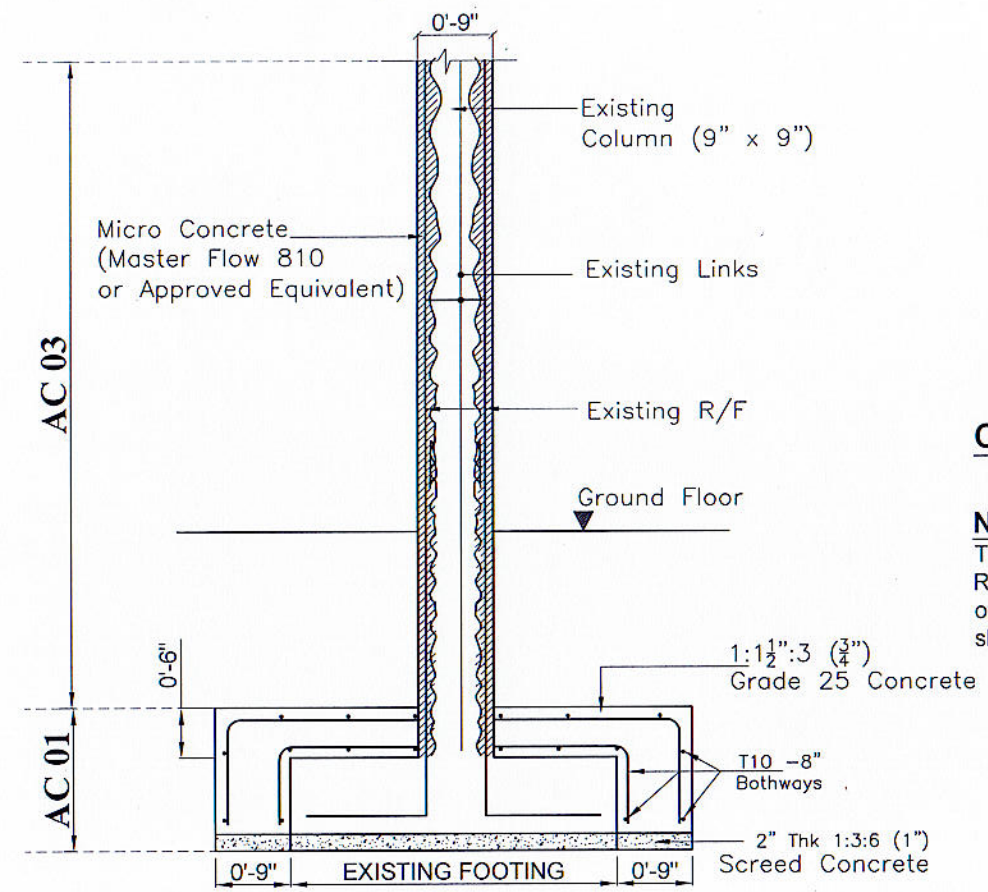


SECTION X-X

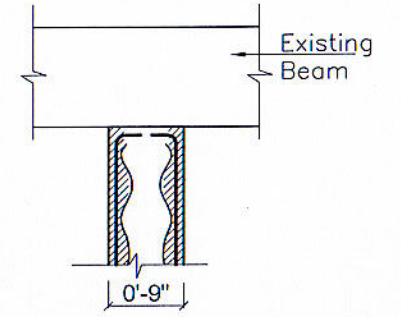


DETAIL OF COLUMN & BEAM JUNCTION

Note:
This detail is to be used if the R/F of existing beam, upper column and the attached slab is not to be treated. For any other cases please inform for further instructions.

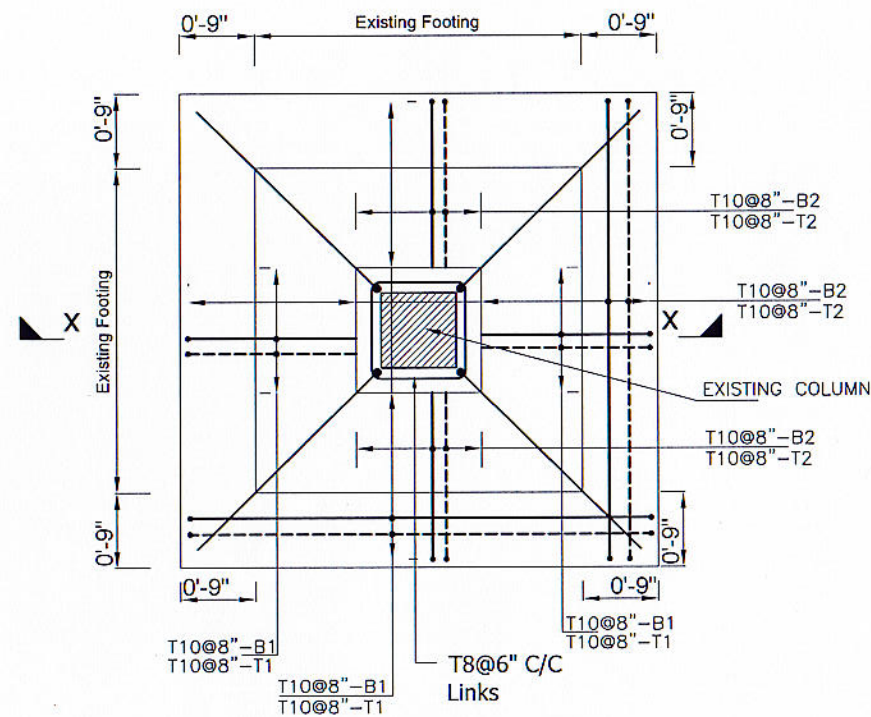


SECTION Y-Y

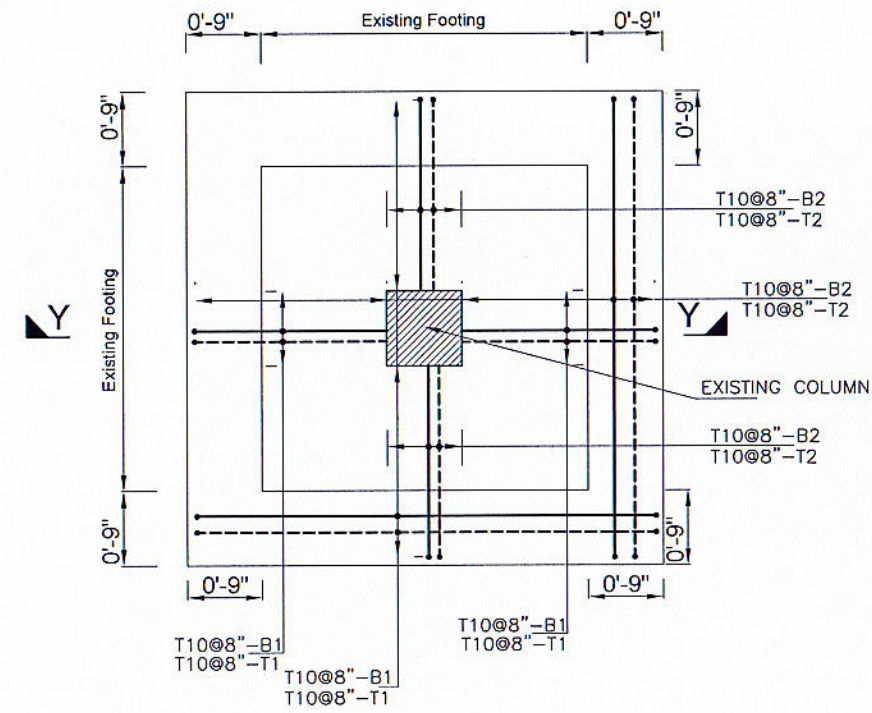


DETAIL OF COLUMN & BEAM JUNCTION

Note:
This detail is to be used for treating the column top R/F. Please inform for further instructions if the R/F of existing beam, upper column and the attached slab as well is to be treated.



**PLAN
DETAIL OF FOUNDATION REPAIR & COLUMN
JACKETING**



**PLAN
DETAIL OF FOUNDATION REPAIR & COLUMN
JACKETING WITH
MICRO CONCRETE**

REV. NO	DESCRIPTION	DATE	SIGNATURE
R2	COLUMN R/F & LINKS R/F CHANGED.	2023.11.16	
R1	SECTION X-X & Y-Y ARE CHANGED.	2023.05.22	

NAME OF THE PROJECT
TYPE PLAN

DRAWING TITLE
STRUCTURAL REPAIRS TO BSR DRAWING

CONNECTED DRAWING NOS.
CONSULTANCY DIVISION
ENGINEERING ORGANIZATION
WESTERN PROVINCIAL COUNCIL
NO: 204
DENZIL KOBBEKADUWA MAWATHA
BATTARAMULLA

DESIGNED BY: NAME: _____
SIGNATURE: _____

CAD BY: HIROSHANI
CHECKED BY: _____

CHIEF ENGINEER (DESIGNS): *[Signature]*
DIRECTOR (ENGINEERING): *[Signature]*

SCALE: NTS
DATE: 2021.11.10

DRG. NO: TYP PLAN STRUCTURAL REPAIRS 2023 OCT 01 - R2
SUBSET NO: 01 OF 01