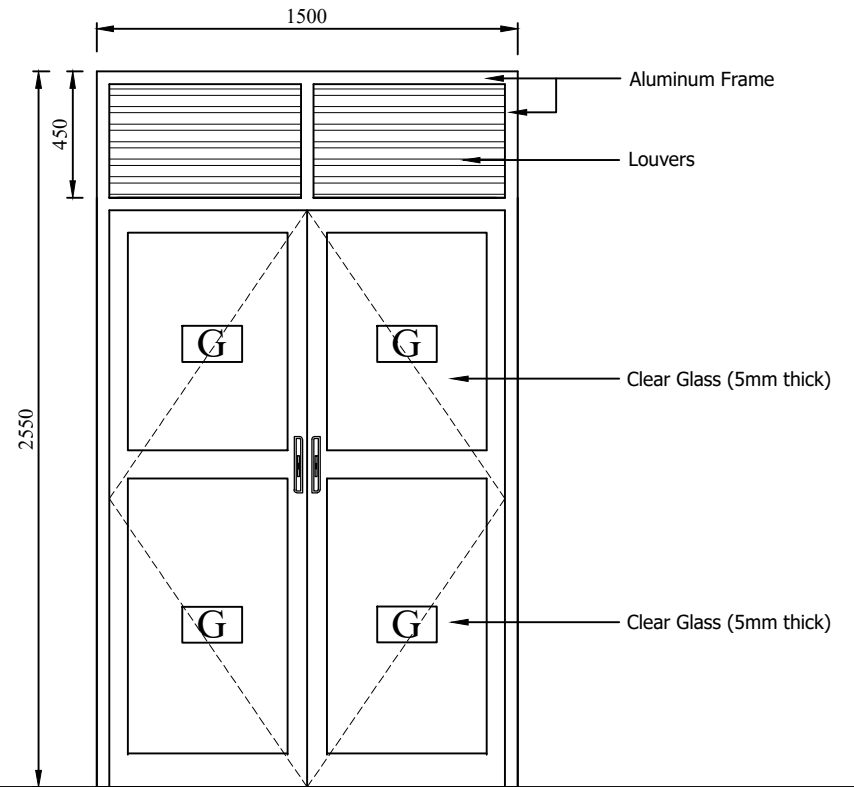
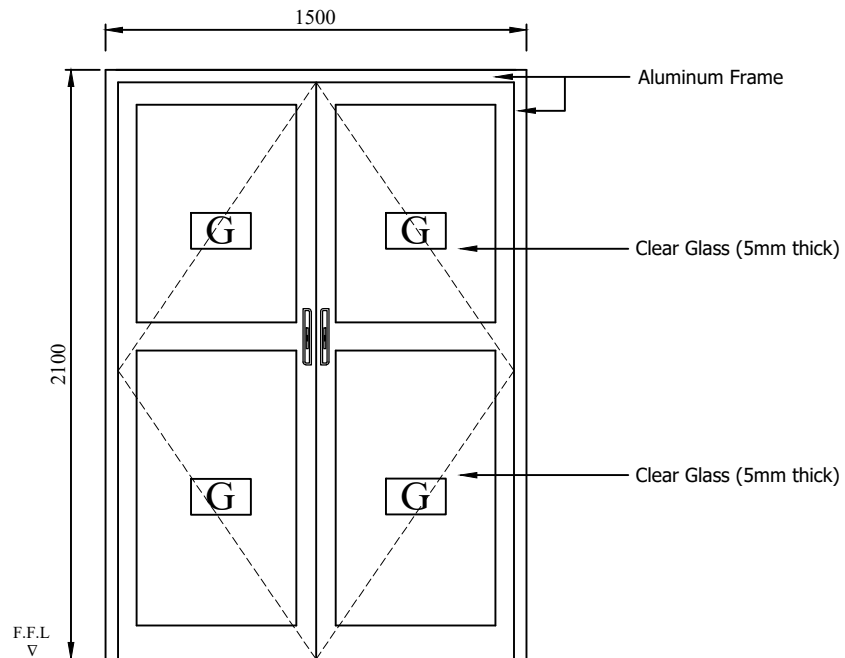


D15



D16



D17

**OPENABLE DOUBLE DOORS**

DRG. NO.  
 AR/TYPE PLAN/DOORS & WINDOWS/2020 - DETAIL 07  
 SHEET NO. 7/23