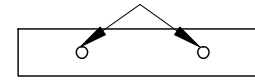
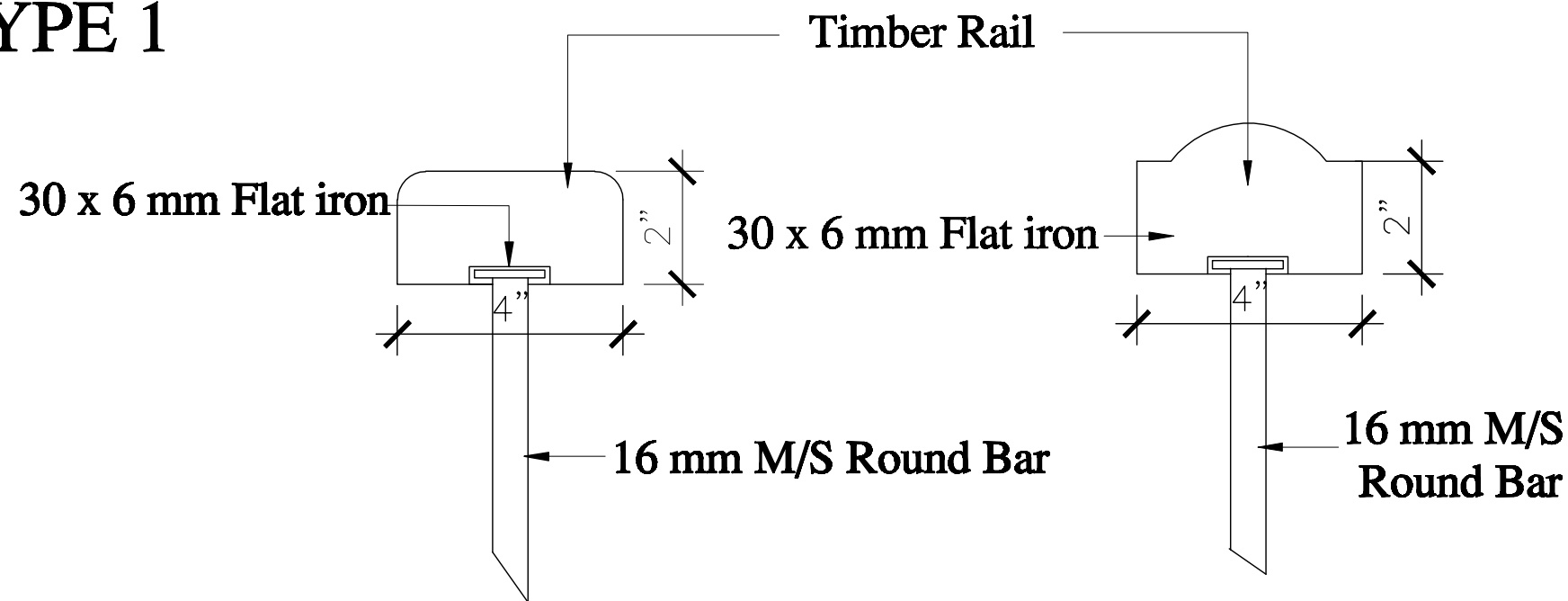


2 NOS 10 mm Ø Anchor bolts



DETAIL AT A

# STAIR CASE DETAIL TYPE 1



TYPE 1-A

TYPE 1-B

REV. NO.	DESCRIPTION	DATE	SIGNATURE
NAME OF THE PROJECT <b>PROPOSED DETAIL DRAWING</b>			
DRAWING TITLE : COUNCIL DRAWING LAYOUT PLAN			
CONNECTED DRAWING NO.			
CONSULTANCY DIVISION ENGINEERING ORGANIZATION. WESTERN PROVINCE PROVINCIAL COUNCIL "SHRAWASTHI" SIR MARCUS FERNANDO MW. COLOMBO-7			
DESIGNED BY	NAME SIGNATURE		
CAD BY	CHECKED BY		
ARCHITECT	DIRECTOR (ENGINEERING)		
SCALE - 1 FOURTHS INCH	DATE - 2022.12		
NO. MR. AB/DETAIL DRG/2022/01/20	SHEET NO. 03		