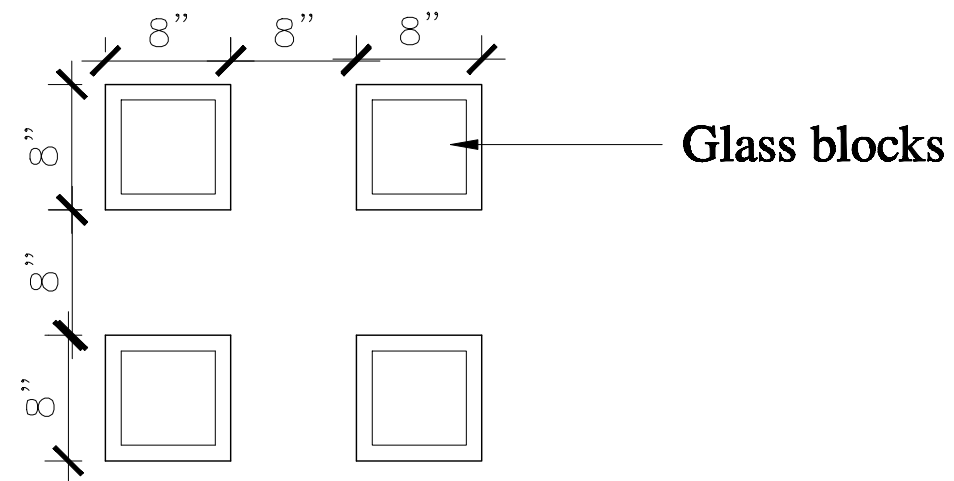
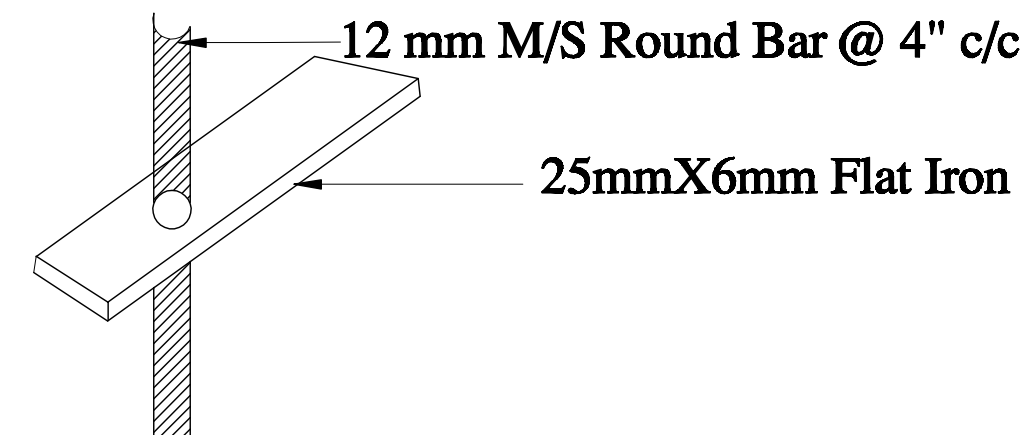


**GRILL DETAIL**



**Glass blocks**

REV. NO.	DESCRIPTION	DATE	SIGNATURE
NAME OF THE PROJECT <b>PROPOSED DETAIL DRAWING</b>			
DRAWING TITLE : COUNCIL DRAWING LAYOUT PLAN			
CONNECTED DRAWING NO.			
CONSULTANCY DIVISION ENGINEERING ORGANIZATION. WESTERN PROVINCE PROVINCIAL COUNCIL "SHRAWASTHI" SIR MARCUS FERNANDO MW. COLOMBO-7			
DESIGNED BY	NAME SIGNATURE		
CAD BY	CHECKED BY		
ARCHITECT	DIRECTOR (ENGINEERING)		
SCALE - 1 FOURTHS INCH	DATE - 2022.12		
REF. NO. AB/DETAIL DRG/2024/01/00	SHEET NO. 05		