

- NOTES:-
1. Pitch of the roof (maximum, 25°, minimum, 18°)
  2. All welding to be 6mm thickness.
  3. All gusset plate to be 10mm thickness.
  4. All double angle members of trusses should be separated by welding 10mm thick 75mm long separators in 600mm c/c maximum.
  5. All steel work in roof should be of grade 43 steel with yield strength - 275n/mm<sup>2</sup> ultimate tensile stress - 430 n/mm<sup>2</sup>
  6. After fabrication & fixing of roof trusses, they should have been thoroughly applied with two coats of zink phosphate paint.
  7. Angle iron purlin to be 50x50x6mm thick
  8. Maximum Truss Spacing 10'-0"
  9. Purlin Cleat to be 75 x75x6mm thick and 12" long
  10. For Estimation Timber frame work should be added.
  11. For 13 1/2"x13 1/2" columns, Truss Should Be Placed on 300mm High 1:2:4 (3") concrete Pad.

REV. NO.	DESCRIPTION	DATE	SIGNATURE
RI	Truss Top Chord Extend to the Eave Line	2023.09.21	<i>Uday</i>

NAME OF THE PROJECT  
**LAYOUT & DETAILS OF STEEL ROOF TRUSS**  
 SPAN 9000mm(30'-0")  
 (TYPE PLAN)

DRAWING TITLE  
 STEEL ROOF TRUSS FOR CALICUT TILE ROOFING 9000mm(30'-0")  
 BSR NO: Y14 & Y29

CONNECTED DRAWING NOS.

CONSULTANCY DIVISION  
 ENGINEERING ORGANIZATION  
 WESTERN PROVINCIAL COUNCIL  
 NO: 204  
 DENZIL KOBBEKADUWA MAWATHA  
 BATTARAMULLA

DESIGNED BY: NAME :- L. D. GALABADA  
 SIGNATURE

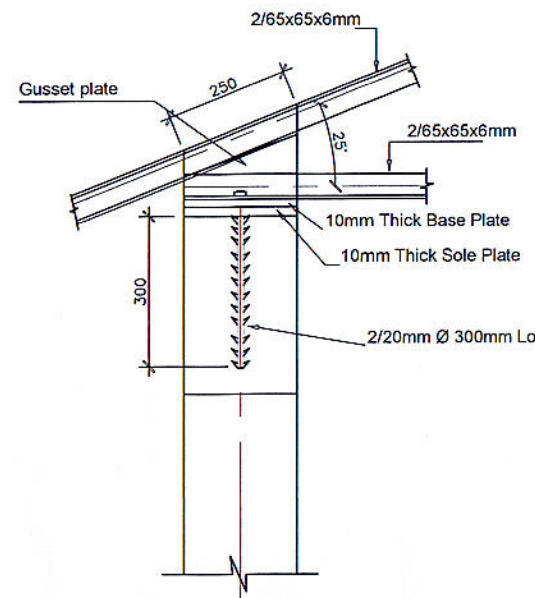
CAD BY : NAVEEN  
 CHECKED BY: *[Signature]*

CHIEF ENGINEER (DESIGNS)  
 DIRECTOR (ENGINEERING): *[Signature]*

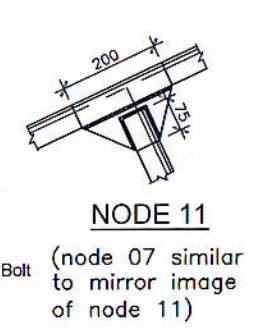
SCALE:-  
 DATE - 11/10/2021

DRG. NO. ST/TYPE: PLAN/ROOF TRUSS/2020/DETAIL-05  
 SHEET NO. 05

**TRUSS**

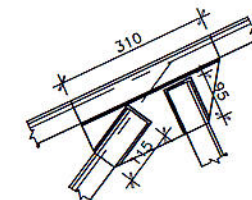


**FIXED END OF TRUSS**



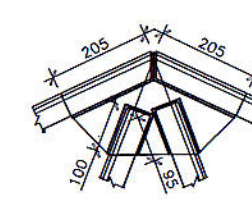
**NODE 11**

(node 07 similar to mirror image of node 11)

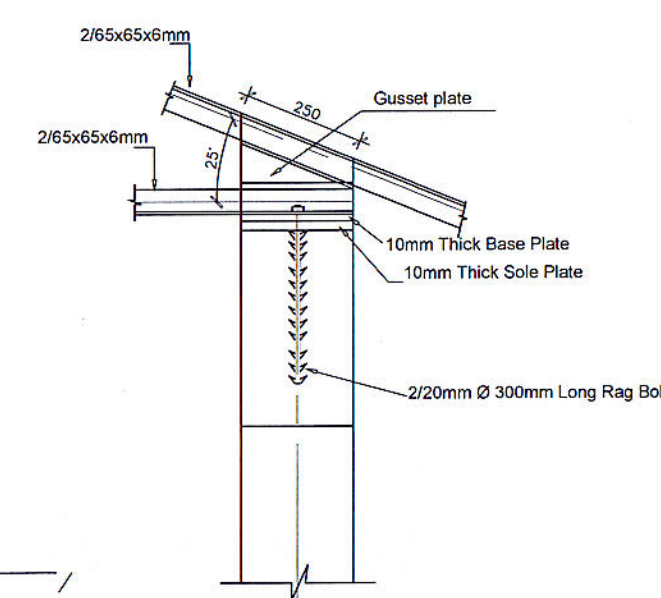


**NODE 10**

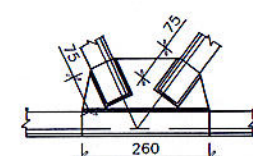
(node 08 similar to mirror image of node 10)



**NODE 09**

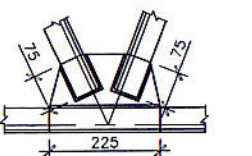


**FREE END OF TRUSS**



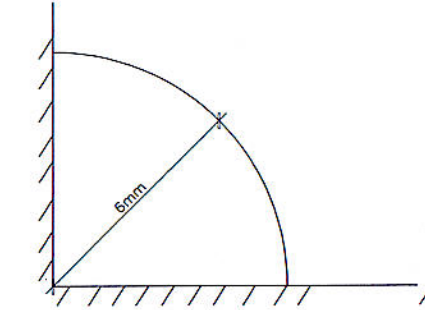
**NODE 02**

(node 05 similar to mirror image of node 02)

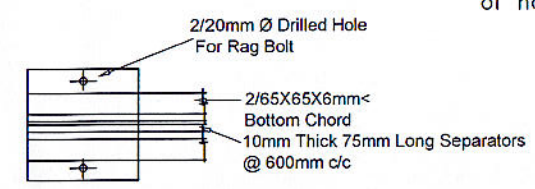


**NODE 03**

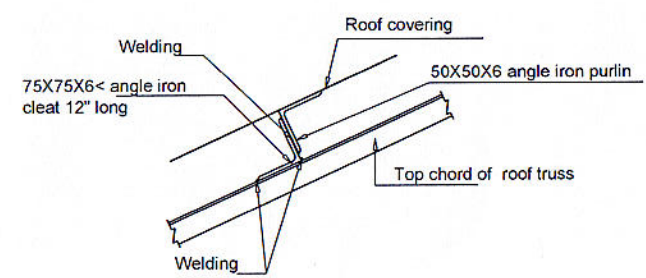
(node 04 similar to mirror image of node 03)



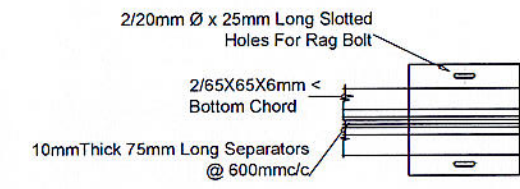
**TYPICAL WELD DETAIL**



**FIXED END OF TRUSS (PLAN)**



**FIXING DETAIL OF PURLIN TO ROOF TRUSS**



**FREE END OF TRUSS (PLAN)**