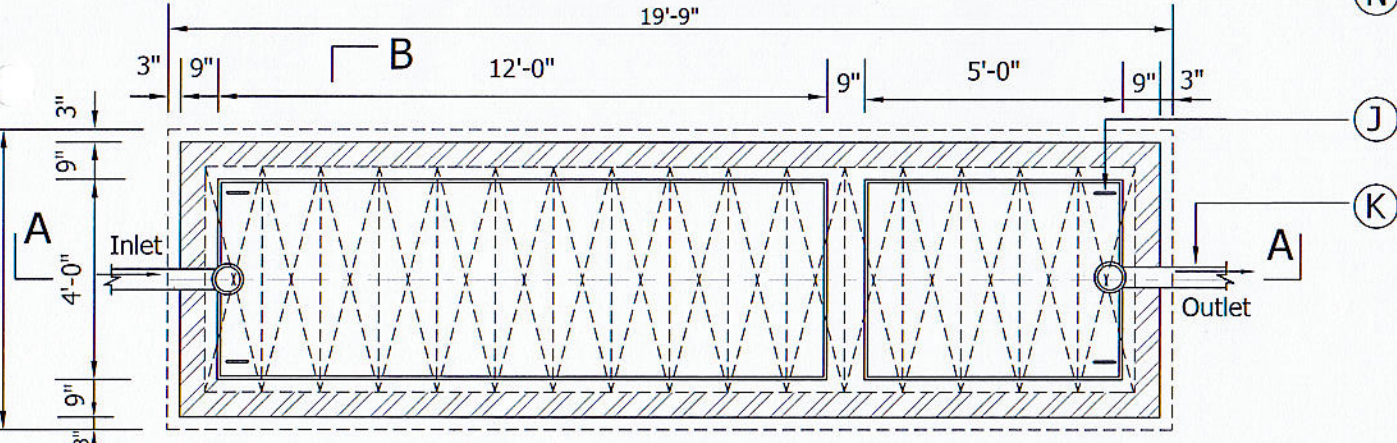


SECTION A-A

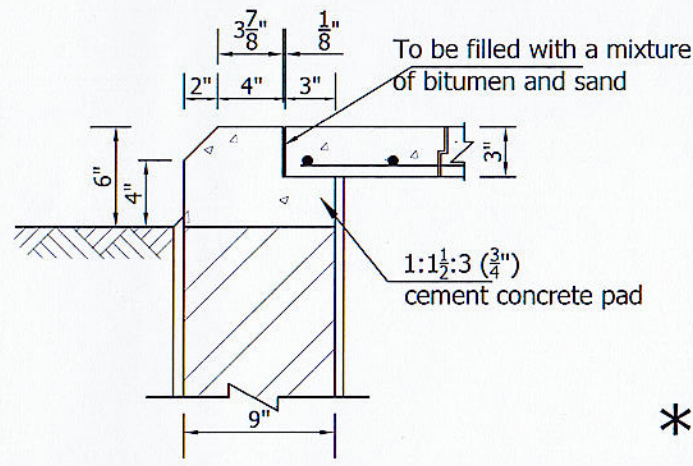
SECTION B-B

- (A) P.V.C. inlet pipe.
- (B) 3" thick cement concrete grade 25 reinforced pre cast cover slabs.
- (C) Cement concrete pad grad 25 as per detail.
- (D) Effluent discharge pipe.
- (E) 9" brick work in cement mortar 1:5.
- (F) Internal walls of the septic tank shall be plastered with 1/2" thick 1:2 mix. and apply approved type of liquid membrane water proofing on surface as per the method statement .Then protective layer of plaster of 1/2" thick to 1:2 mix. trowel smooth with neat grey cement .
- (G) External walls of the septic tank shall be plastered with 5/8" thick 1:5 mix.
- (H) 6" thick base slab grade 25 no slope to be provided.
- (I) 10mm ϕ bars @ 9" c/c both ways.
- (J) 2 nos. slabs above inlet and outlet to be with 2 nos. 10mm ϕ M/S lifting handles as per detail. all others without lifting handles.
- (K) P.V.C. outlet pipe.
- (L) 6mm ϕ bars @ 12" c/c.
- (M) 3 nos. 10mm ϕ bars.
- (N) 3" thick grade 15 lean concrete.

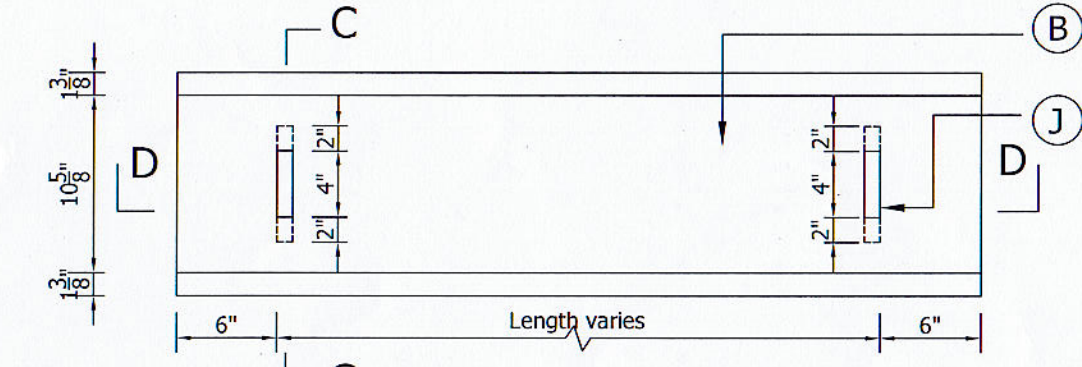
* Septic tank to be filled with water up to top water level before being put into use.



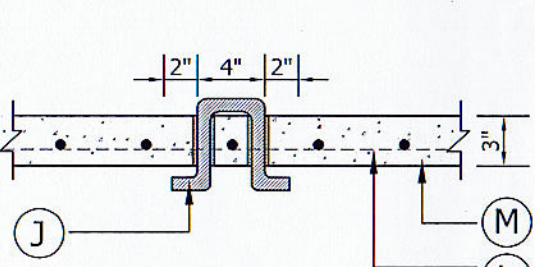
PLAN



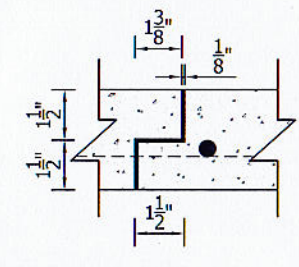
DETAIL AT 'X'



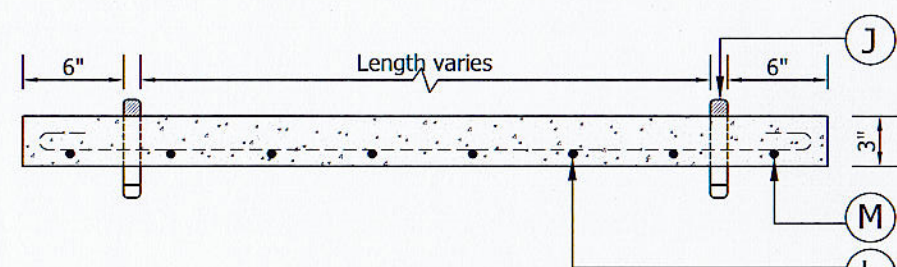
PLAN OF COVER



SECTION C-C



DETAIL AT 'Q'



SECTION D-D

CONSULTANCY DIVISION
 ENGINEERING ORGANIZATION
 WESTERN PROVINCE PROVINCIAL COUNCIL.
 204, DENCIL KOBBEKADUWA MAWATHA,
 BATTARAMULLA

**TYPE PLAN OF SEPTIC TANK
 FOR 150 PERSONS (BRICK)**

CAD BY PRADEEPA	DATE 18.08.2020
CHECKED BY <i>[Signature]</i>	SCALE 4/8" FEET TO AN INCH
ENGINEER (W.S. & S.)	DRG. NO. WSS / 2020 / ST /02
DIRECTOR (ENGINEERING) <i>[Signature]</i>	SHEET NO. 1 OF 1