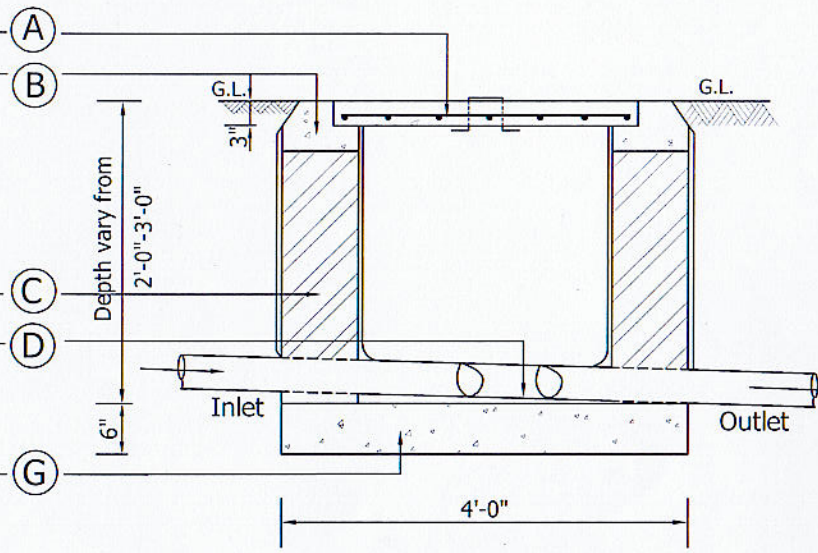
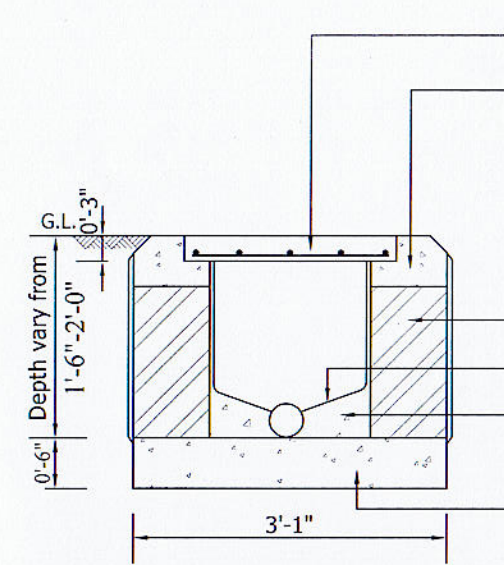


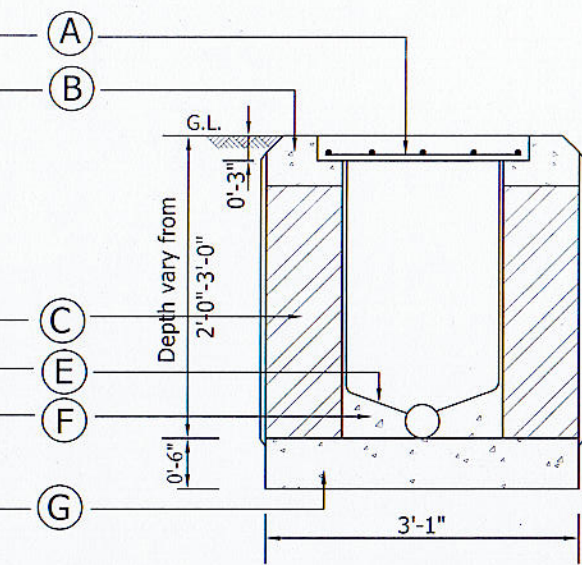
SECTION A-A



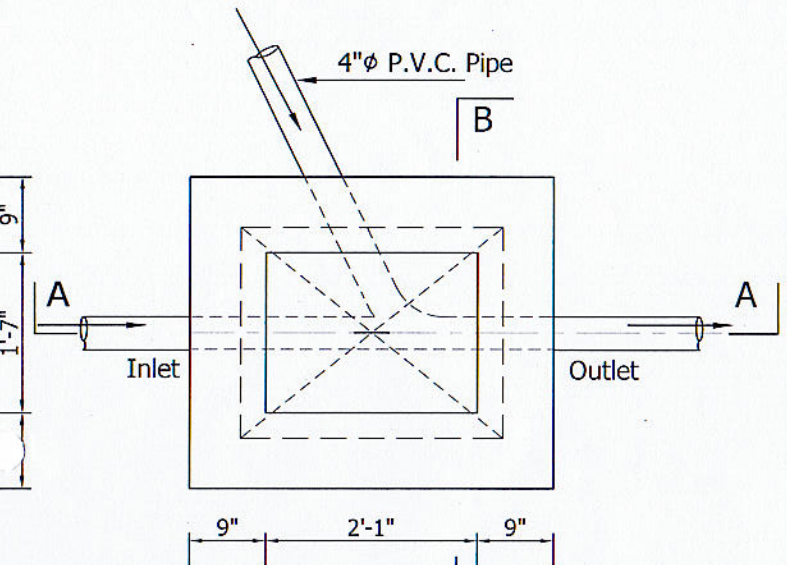
SECTION C-C



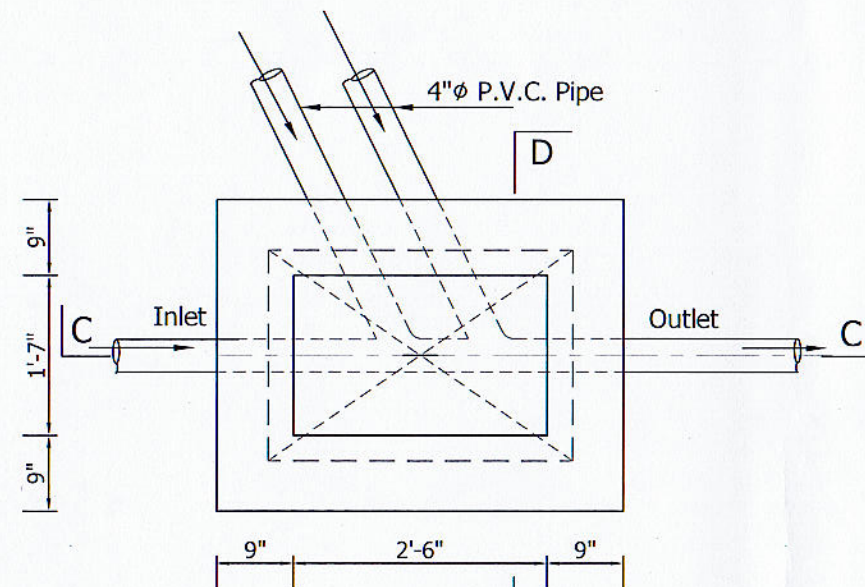
SECTION B-B



SECTION D-D



PLAN
(Type 1)
(U-11)



PLAN
(Type 2)
(U-12)

- (A) 3" thick cement concrete grade 20 Pre cast cover slab R/F with 10mm ϕ Tor Steel @ 6" c/c both ways.
- (B) 6" thick cement concrete pad grade 20.
- (C) 9" thick brick masonry side walls in cement mortar 1:3 with $\frac{1}{2}$ " thick cement plastering 1:2 finished smooth internal surfaces and exposed external walls .
- (D) Minimum height of channel to be the diameter of pipe plus one thickness of the pipe.
- (E) Benching 20°
- (F) Cement concrete grade 20 with $\frac{5}{8}$ " thick plastering in cement sand 1:3.
- (G) 6" thick Grade 15 base concrete.
- (H) Lifting handle.

CONSULTANCY DIVISION
ENGINEERING ORGANIZATION
WESTERN PROVINCE PROVINCIAL COUNCIL.
204, DENCIL KOBBEKADUWA MAWATHA,
BATTARAMULLA

**TYPE PLAN OF SEWER
BRICK MANHOLES**

CAD BY PRADEEPA
CHECKED BY *[Signature]*
ENGINEER (W.S. & S.)
DIRECTOR (ENGINEERING) *[Signature]*

DATE 18.08.2020
SCALE 4/8" FEET TO AN INCH
DRG. NO. WSS / 2020 /03
SHEET NO. 01