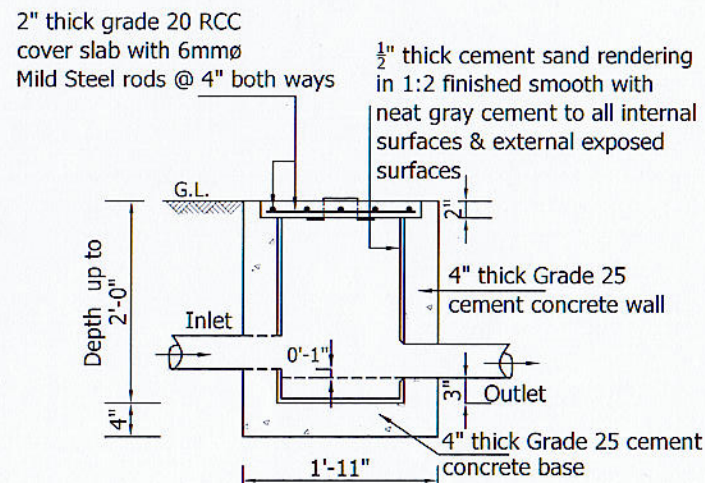
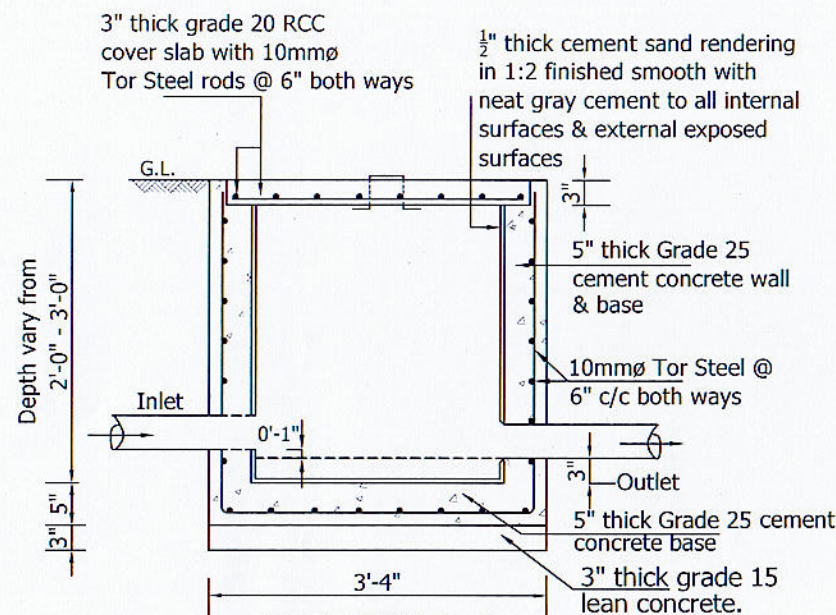


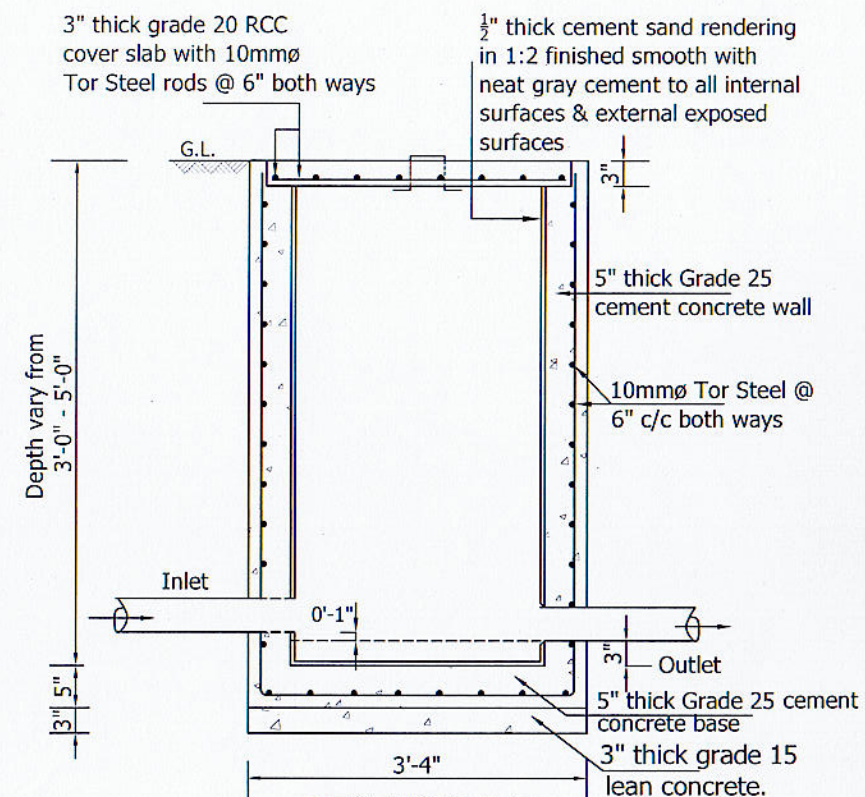
**SECTION A-A**



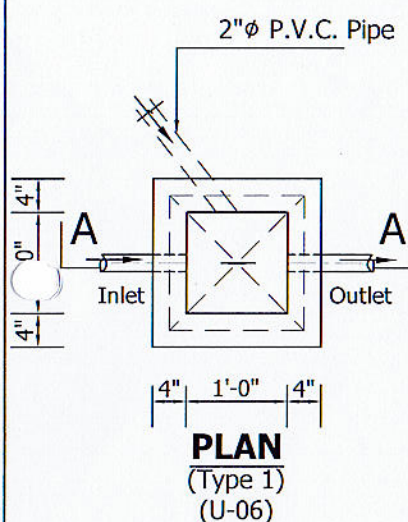
**SECTION B-B**



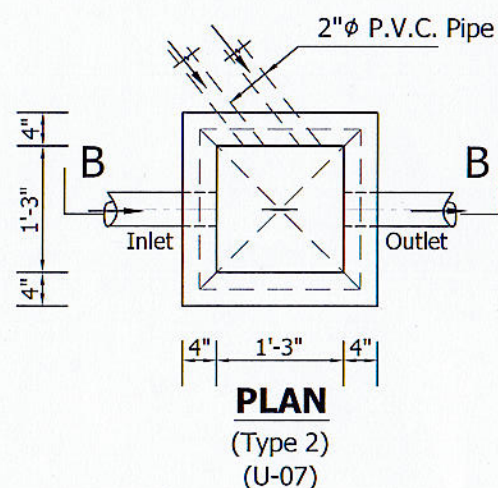
**SECTION D-D**



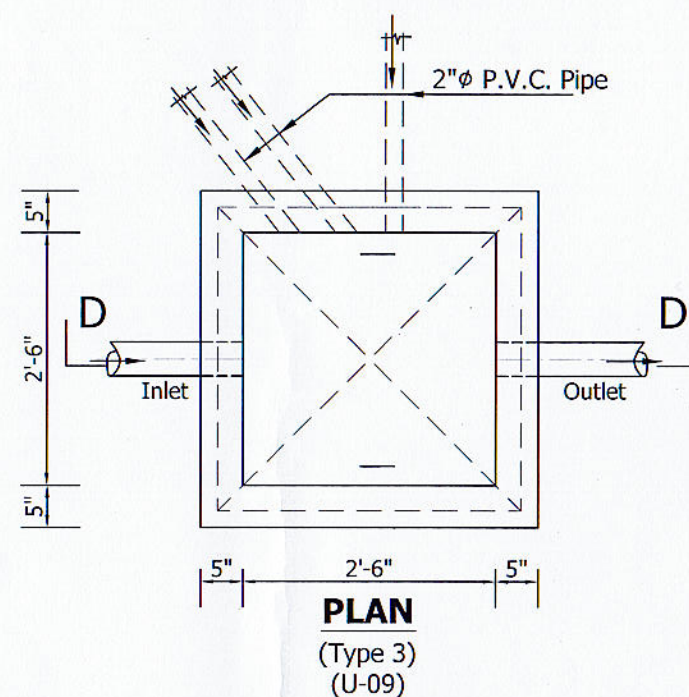
**SECTION E-E**



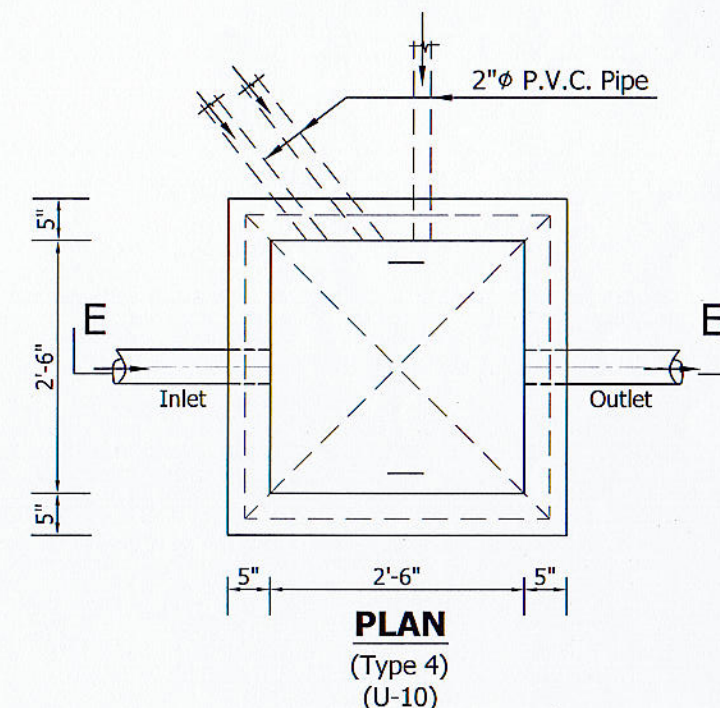
**PLAN**  
(Type 1)  
(U-06)



**PLAN**  
(Type 2)  
(U-07)



**PLAN**  
(Type 3)  
(U-09)



**PLAN**  
(Type 4)  
(U-10)

CONSULTANCY DIVISION  
ENGINEERING ORGANIZATION  
WESTERN PROVINCE PROVINCIAL COUNCIL.  
204, DENCIL KOBBEKADUWA MAWATHA,  
BATTARAMULLA

**TYPE PLAN OF WASTE WATER  
CONCRETE MANHOLES**

CAD BY PRADEEPA

CHECKED BY

ENGINEER ( W.S. & S. )

DIRECTOR (ENGINEERING)

DATE 18.08.2020

SCALE 4/8" FEET TO AN INCH

DRG. NO. WSS / 2020 /02

SHEET NO. 01