

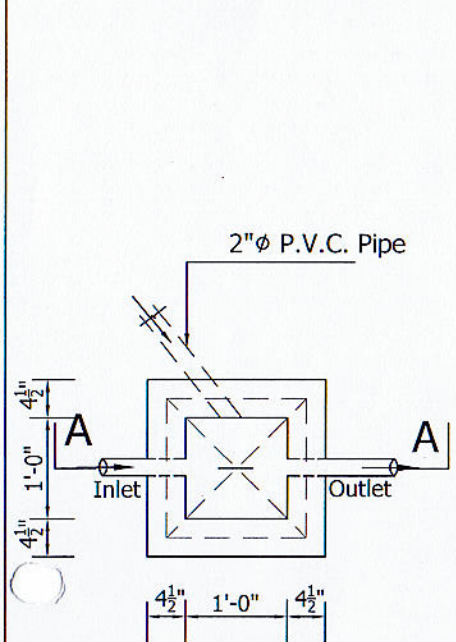
SECTION A-A

SECTION B-B

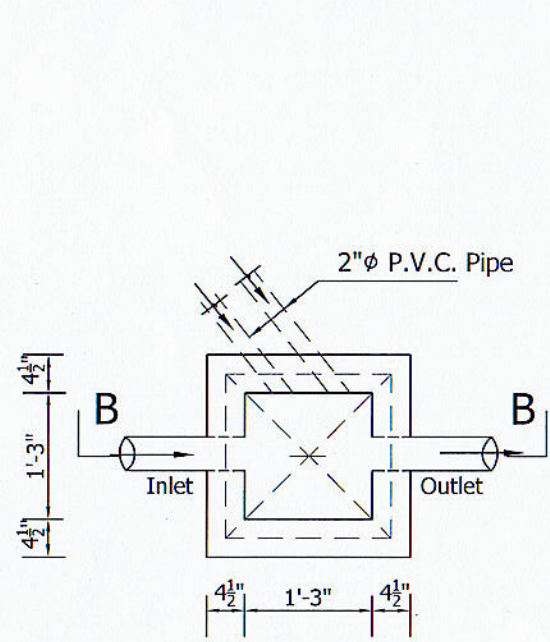
SECTION C-C

SECTION D-D

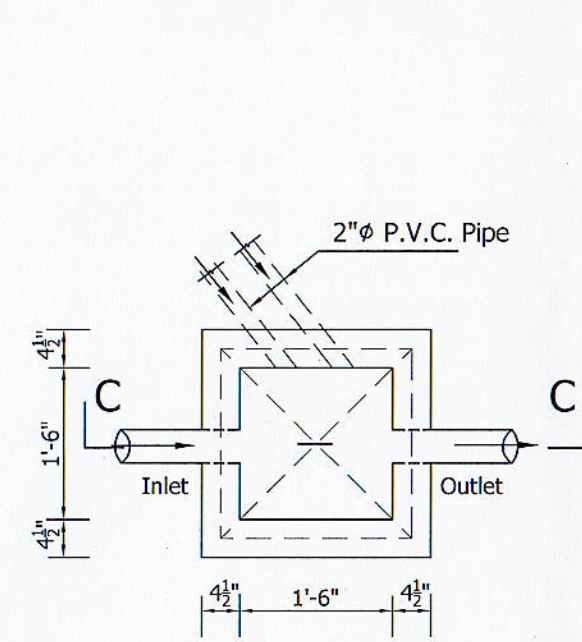
SECTION E-E



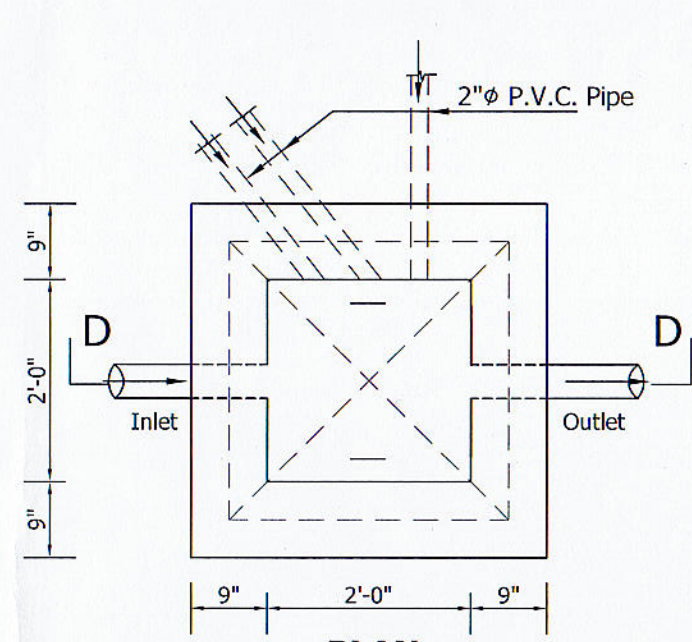
PLAN
(Type 1)
(U-01)



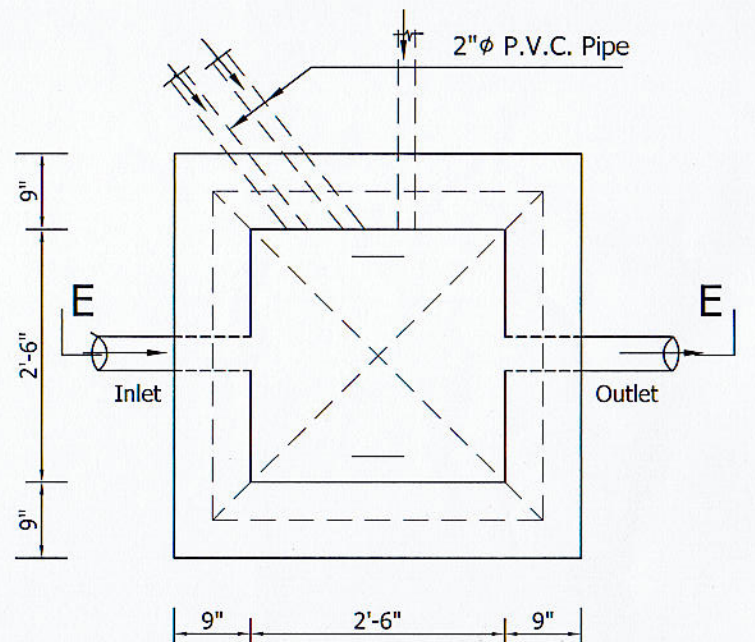
PLAN
(Type 2)
(U-02)



PLAN
(Type 3)
(U-03)



PLAN
(Type 4)
(U-04)



PLAN
(Type 5)
(U-05)

CONSULTANCY DIVISION
ENGINEERING ORGANIZATION
WESTERN PROVINCE PROVINCIAL COUNCIL.
204, DENCIL KOBBEKADUWA MAWATHA,
BATTARAMULLA

**TYPE PLAN OF WASTE WATER
BRICK MANHOLES**

CAD BY PRADEEPA	DATE 18.08.2020
CHECKED BY <i>[Signature]</i>	SCALE 4/8" FEET TO AN INCH
ENGINEER (W.S. & S.)	DRG. NO. WSS / 2020 / 01
DIRECTOR (ENGINEERING) <i>[Signature]</i>	SHEET NO. 01