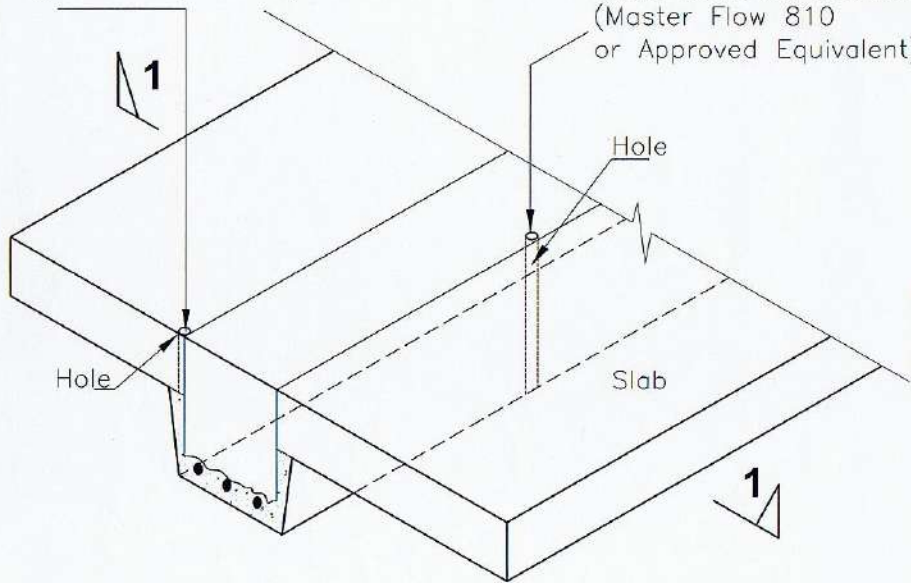
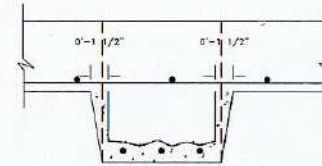


Micro Concrete Pouring  
(Master Flow 810  
or Approved Equivalent)

Micro Concrete Overflow  
(Master Flow 810  
or Approved Equivalent)



**BEAM - AC 04**



**SECTION 1-1**

Micro Concrete Pouring  
(Master Flow 810  
or Approved Equivalent)

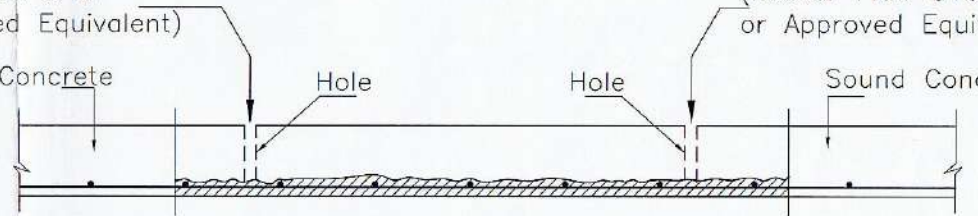
Micro Concrete Overflow  
(Master Flow 810  
or Approved Equivalent)

Sound Concrete

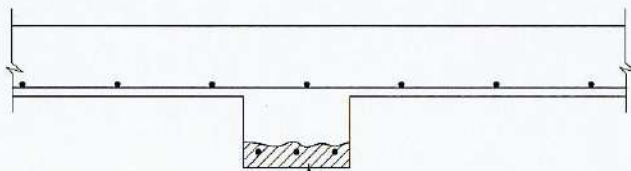
Hole

Hole

Sound Concrete

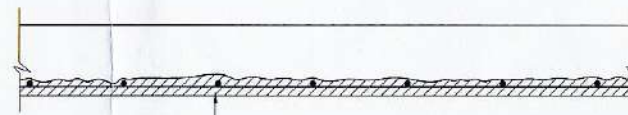


**SLAB - AC 05**



Travel Finish with  
Repair Mortar  
(Master Emaco S 5400 or  
Approved Equivalent)

**BEAM - AC 06**



Travel Finish with  
Repair Mortar  
(Master Emaco S 5400 or  
Approved Equivalent)

**SLAB - AC 07**

NAME OF THE PROJECT	
<b>TYPE PLAN</b>	
DRAWING TITLE	
<b>STRUCTURAL REPAIRS TO BSR DRAWING</b>	
CONNECTED DRAWING NOS	
CONSULTANCY DIVISION ENGINEERING ORGANIZATION WESTERN PROVINCIAL COUNCIL NO. 204 DENZIL KOBBEKADUWA MAWATHA BATTARAMULLA	
DESIGNED BY	NAME
CADBY	SIGNATURE:
JIBROSIAN	CHECKED BY
CHIEF ENGINEER (DESIGN)	DIRECTOR (ENGINEERING)
	28/02/2011
SCALE: NTS	DATE: 2011.20
DRG NO:	SHEET NO: 01/001
TYPE PLAN STRUCTURAL FORMS SUBSTRUCTURE	