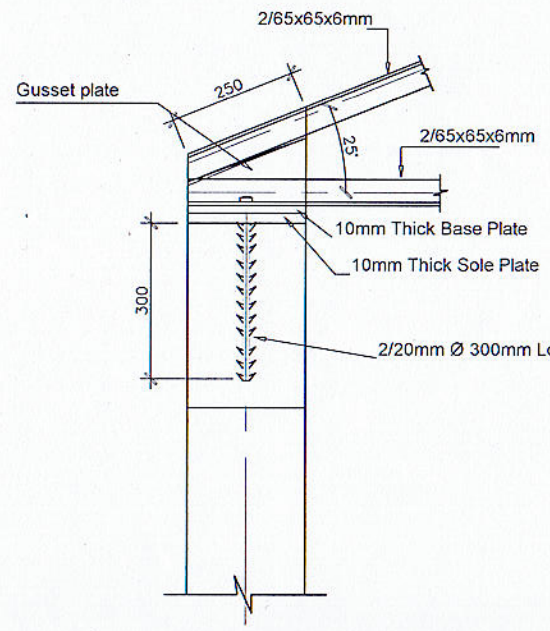


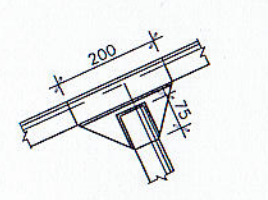
**NOTES:-**

1. Pitch of the roof (maximum 25°, minimum 18°)
2. All welding to be 6mm thickness.
3. All gusset plate to be 10mm thickness.
4. All double angle members of trusses should be separated by welding 10mm thick 75mm long separators in 600mm c/c maximum.
5. All steel work in roof should be of grade 43 steel with yield strength - 275n/mm<sup>2</sup> ultimate tensile stress - 430 n/mm<sup>2</sup>
6. After fabrication & fixing of roof trusses, they should have been thoroughly applied with two coats of zink phosphate paint.
7. Angle iron purlin to be 50x50x6mm thick
8. Maximum Truss Spacing 10'-0"
9. Purlin Cleat to be 75 x75x6mm thick and 12" long
10. For Estimation Timber frame work should be added.
11. For 13 1/4" x 13 1/4" columns, Truss Should Be Placed on 300mm High 1:2:4 concrete Pad.

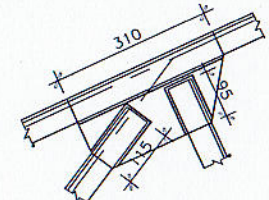
**TRUSS**



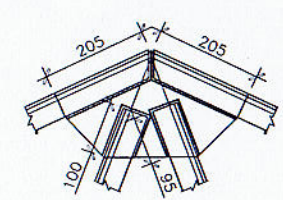
**FIXED END OF TRUSS**



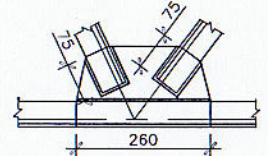
**NODE 11**  
(node 07 similar to mirror image of node 11)



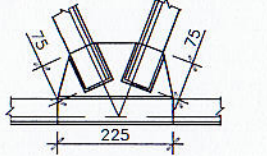
**NODE 10**  
(node 08 similar to mirror image of node 10)



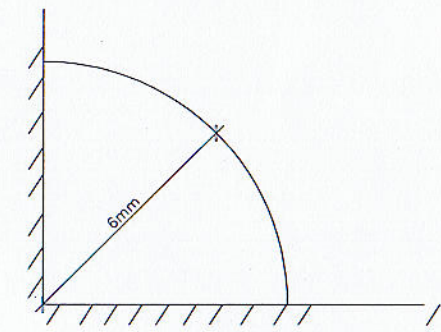
**NODE 09**



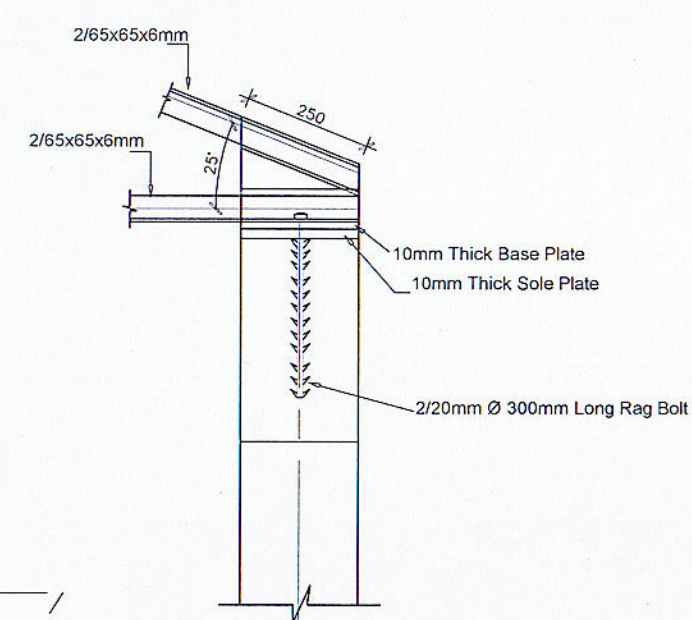
**NODE 02**  
(node 05 similar to mirror image of node 02)



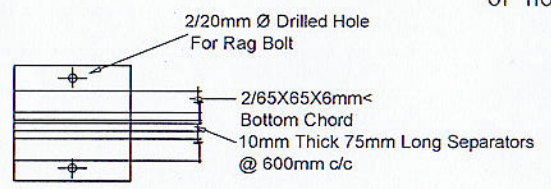
**NODE 03**  
(node 04 similar to mirror image of node 03)



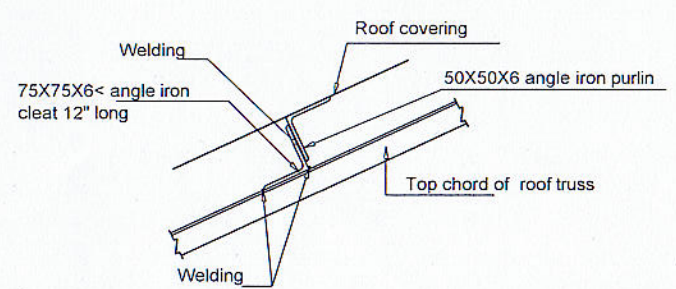
**TYPICAL WELD DETAIL**



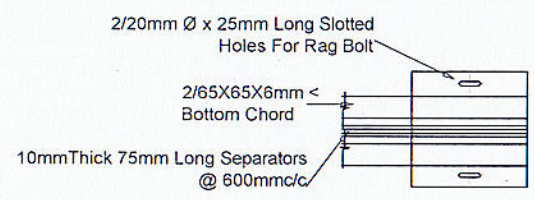
**FREE END OF TRUSS**



**FIXED END OF TRUSS (PLAN)**



**FIXING DETAIL OF PURLIN TO ROOF TRUSS**



**FREE END OF TRUSS (PLAN)**

NAME OF THE PROJECT  
**LAYOUT & DETAILS OF STEEL ROOF TRUSS**  
SPAN 9000mm(30'-0")  
(TYPE PLAN)

DRAWING TITLE  
STEEL ROOF TRUSS FOR CALICUT TILE ROOFING 9000mm(30'-0")  
BSR NO: Y14 & Y29

CONNECTED DRAWING NOS.

CONSULTANCY DIVISION  
ENGINEERING ORGANIZATION  
WESTERN PROVINCIAL COUNCIL  
NO: 204  
DENZIL KOBBEKADUWA MAWATHA  
BATTARAMULLA

DESIGNED BY: NAME: L. D. GALABADA  
SIGNATURE

CAD BY: NAVEEN  
CHECKED BY

CHIEF ENGINEER (DESIGNS)  
*[Signature]*  
DIRECTOR (ENGINEERING)  
*[Signature]*

SCALE -  
DATE - 11/10/2021

DRG. NO.  
ST/TYPE PLAN/ROOF TRUSS/2020/DETAIL-05  
SHEET NO. 05