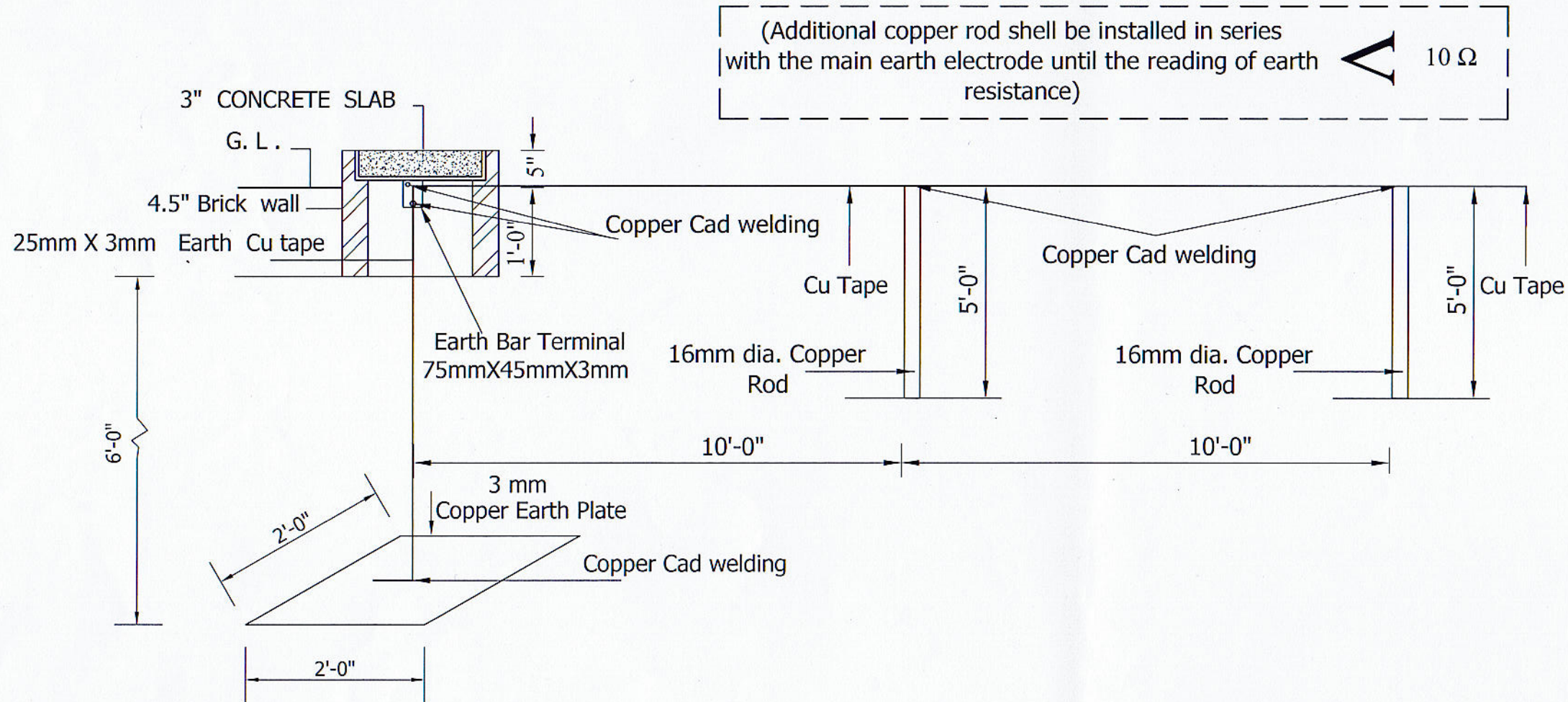
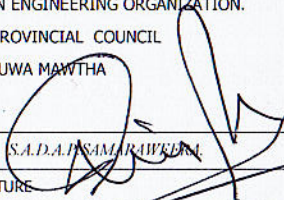



## IN CASE OF EARTH RESISTANCE > 10Ω



**DETAIL OF EARTH PIT**

( V - 226 )

REV. NO.	DESCRIPTION	DATE	SIGNATURE
NAME OF THE PROJECT :			
<b>PROPOSED DETAIL DRAWINGS</b>			
DRAWING TITLE :			
DETAIL OF DOUBLE ARM SOLAR STREET LAMP			
CONNECTED DRAWING NOS.			
CONSULTANCY DIVISION ENGINEERING ORGANIZATION. WESTERN PROVINCE PROVINCIAL COUNCIL 204, DENCIL KOBBEKADUWA MAWTHA BATTARAMULLA			
DESIGNED BY	NAME	SIGNATURE	
	S.A.D.A. SAMARAWELLA		
CAD BY :	CHECKED BY :		
DANUSHKA			
ELECTRICAL ENGINEER	DIRECTOR (ENGINEERING)		
			
SCALE : N.T.S	DATE : 2020.07.10		
DRG.NO. : ELEC/ST/04	SHEET NO. : 01		