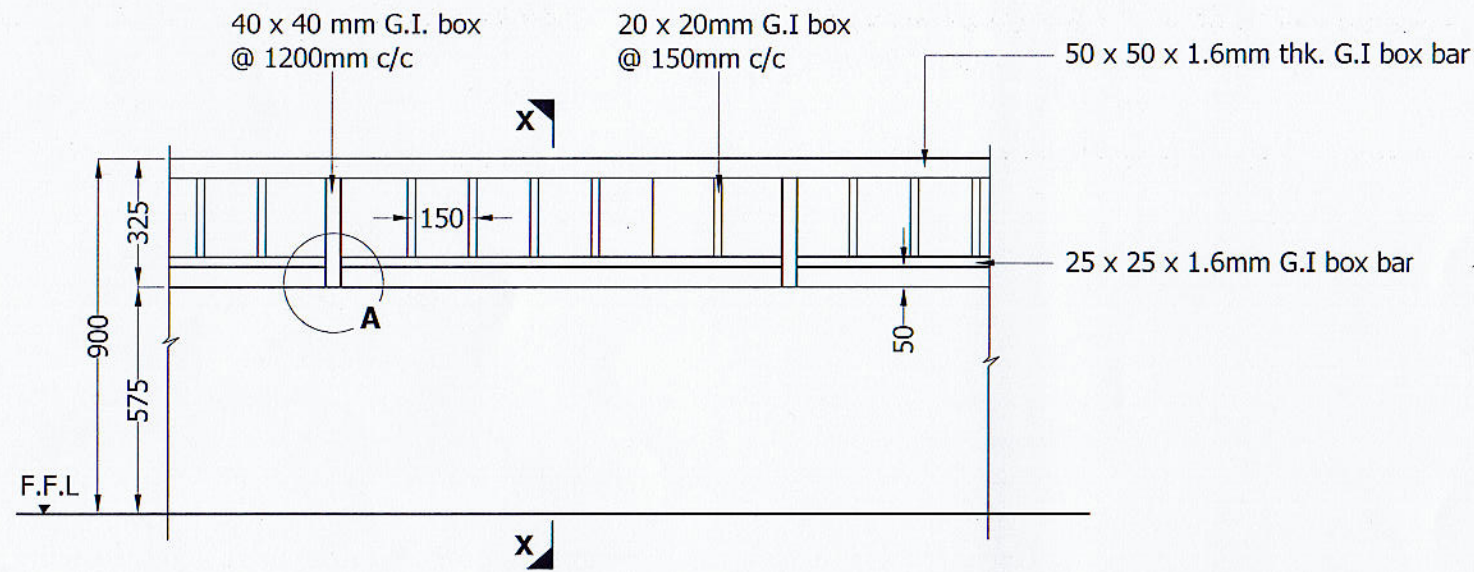
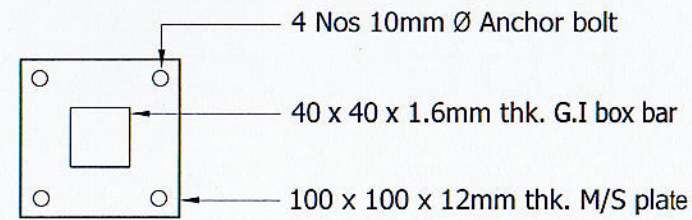


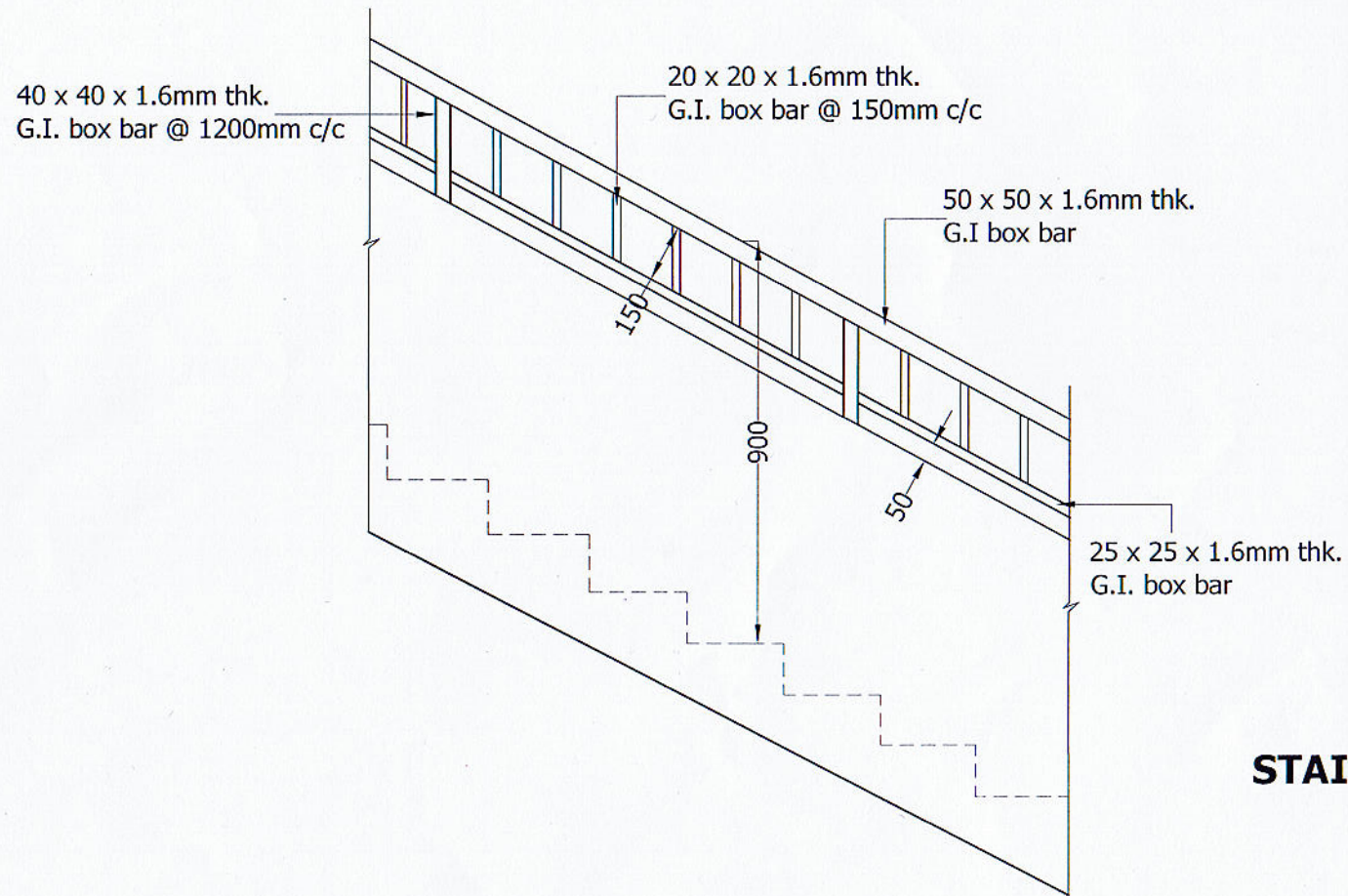
**SECTION X-X**



**GUARD WALL DETAIL**  
(Type - 4)



**DETAIL AT 'A'**



**STAIRCASE HAND RAIL DETAIL**  
(Type - 4)

REV. NO.	DESCRIPTION	DATE	SIGNATURE
NAME OF THE PROJECT : <b>TYPE PLAN OF GUARD WALL DETAIL &amp; STAIR CASE GUARD WALL DETAIL (TYPE - 4)</b>			
DRAWING TITLE : HANDRAIL DETAILS			
CONNECTED DRAWING NOS.			
CONSULTANCY DIVISION ENGINEERING ORGANIZATION. WESTERN PROVINCE PROVINCIAL COUNCIL 204, DENCIL KOBBEKADUWA MAWTHA BATTARAMULLA			
DESIGNED BY	NAME	SIGNATURE	
CAD BY : BHAGYA	CHECKED BY :	[Signature]	
ARCHITECT	DIRECTOR (ENGINEERING)	[Signature]	
SCALE : 1:25	DATE : 2020.07.15		
DRG.NO. : AR/TYPE PLAN/HANDRAIL/2020/DETAIL 04	SHEET NO. : 01		