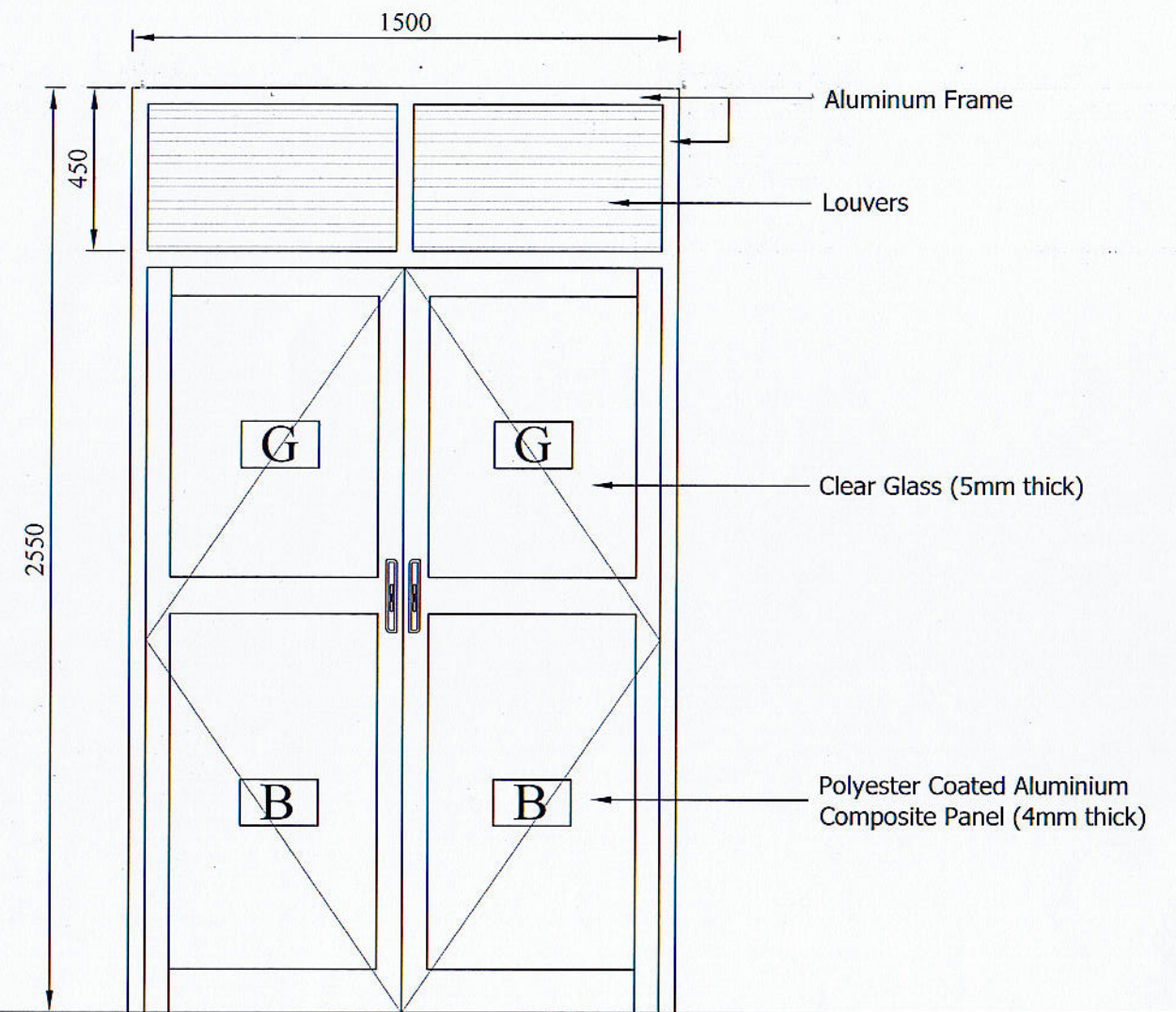
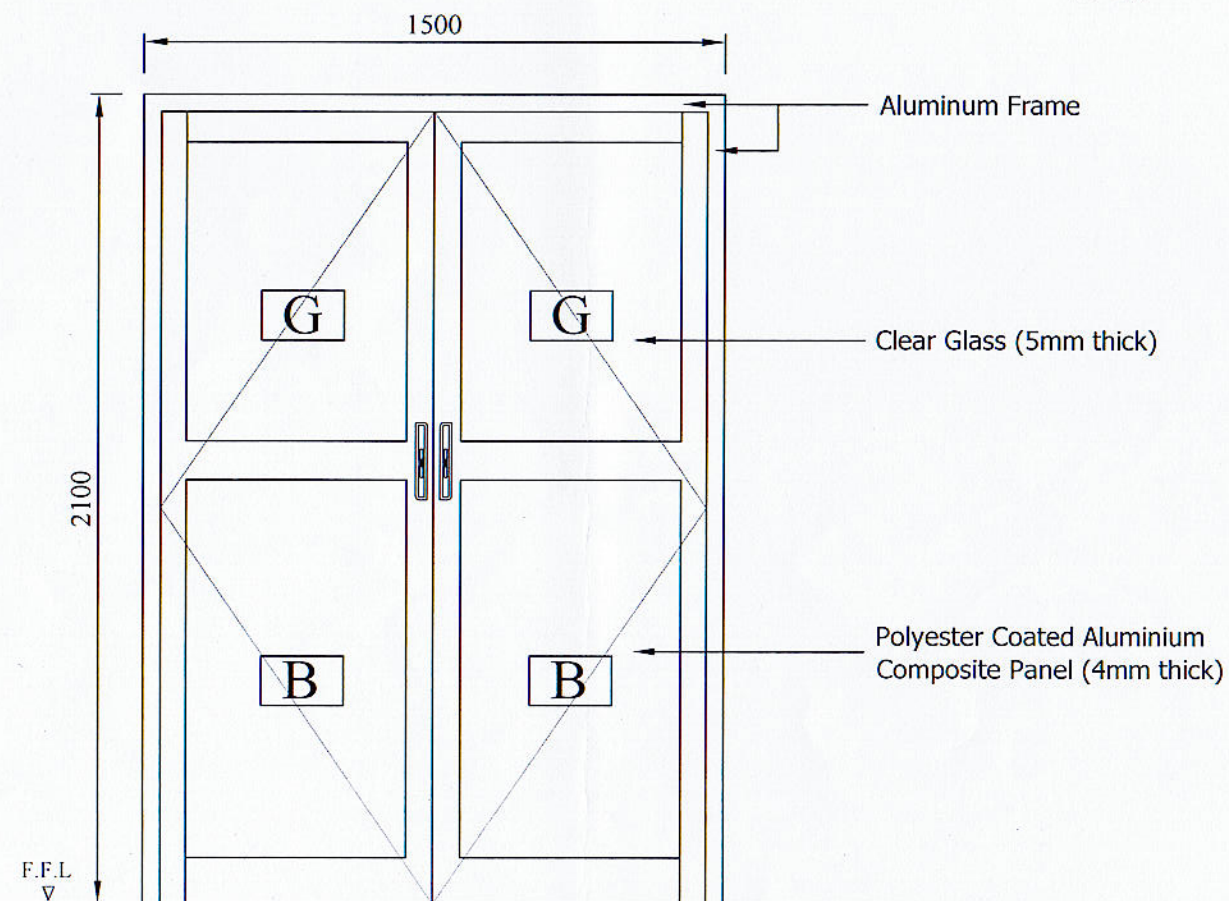


D12



D13



D14

checked by: *[Signature]*

Approved *[Signature]*

OPENABLE DOUBLE DOORS

DRG. NO.
AR/TYPE PLAN/DOORS & WINDOWS/2020 - DETAIL 06
SHEET NO. 6/23