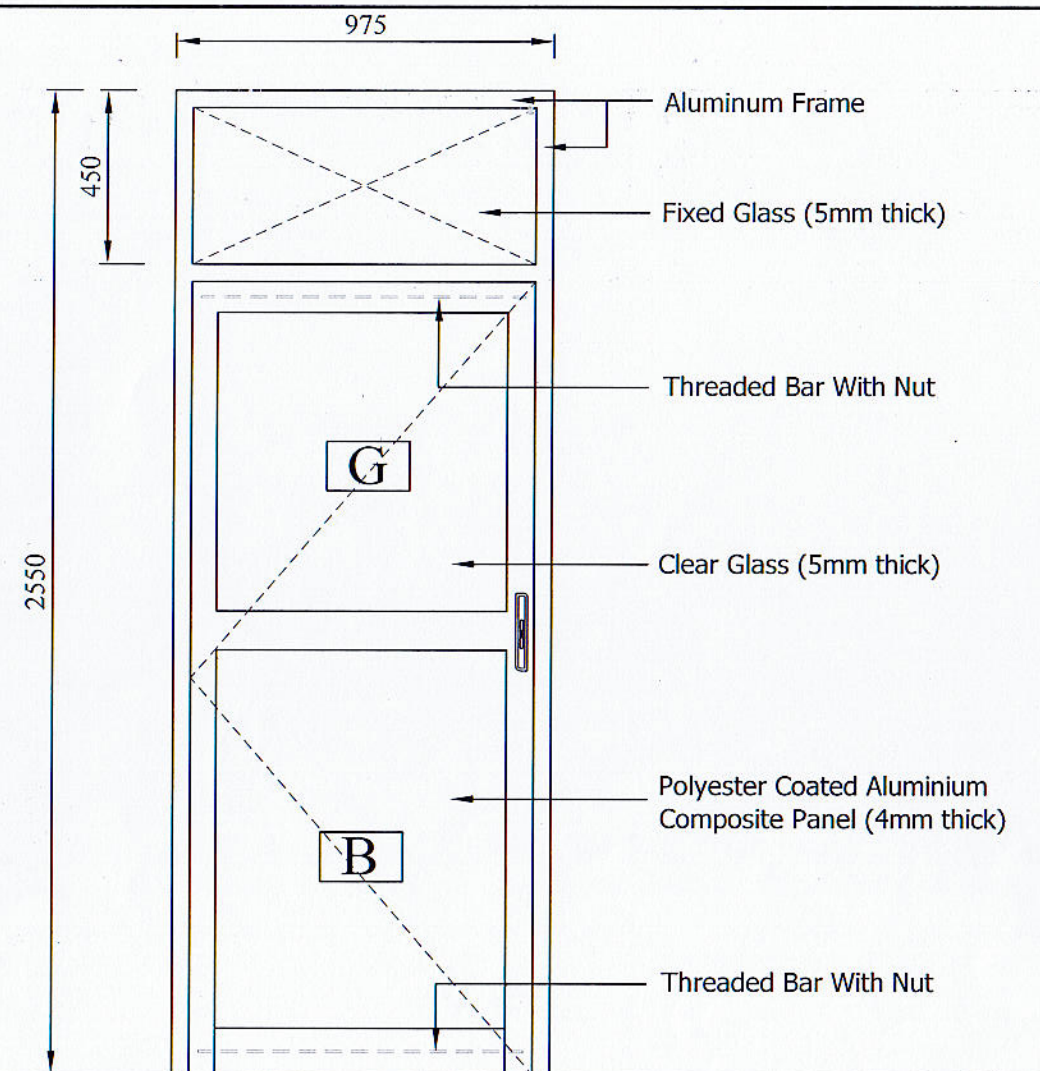
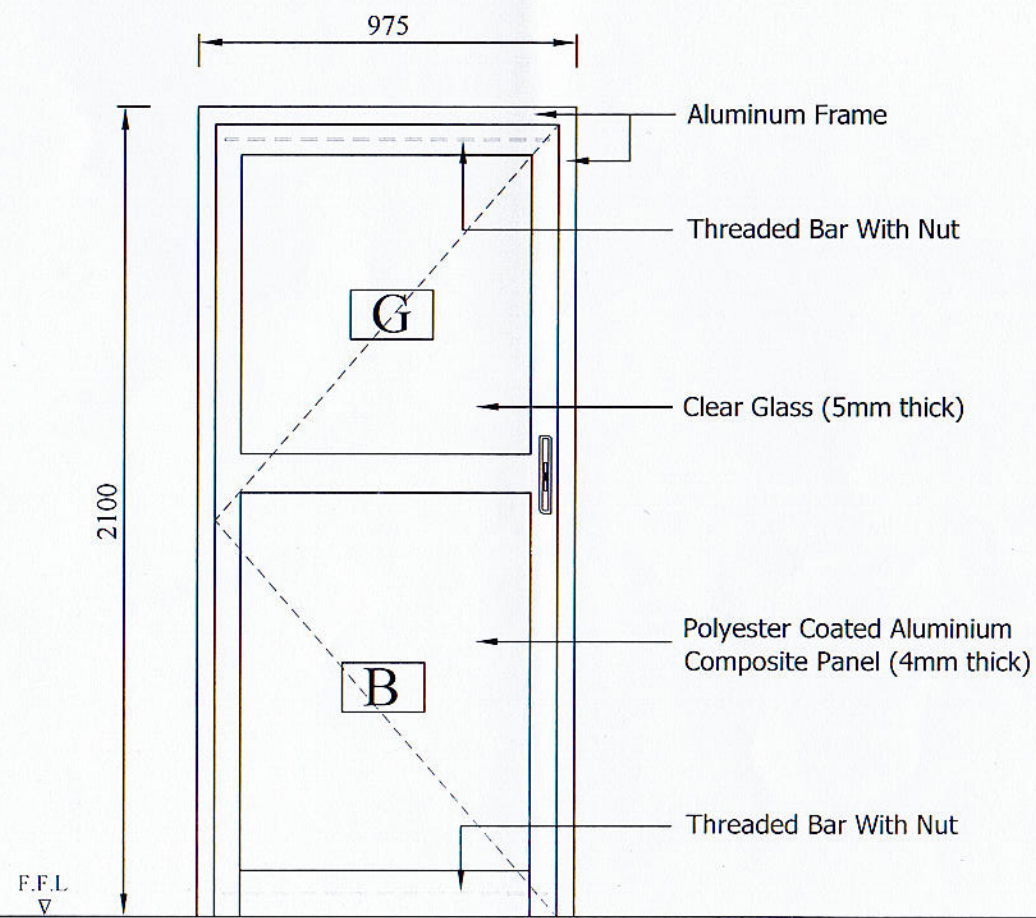


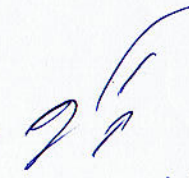

D1



D2



D3

checked by:  Approved 

OPENABLE SINGLE DOORS

DRG. NO.
AR/TYPE PLAN/DOORS & WINDOWS/2020 - DETAIL 02
SHEET NO. 2/23