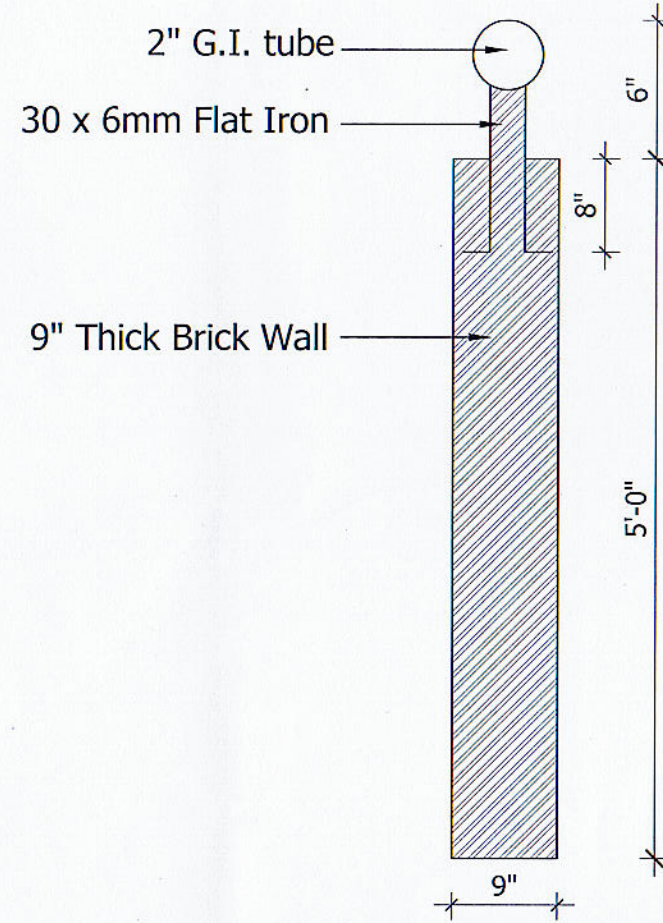
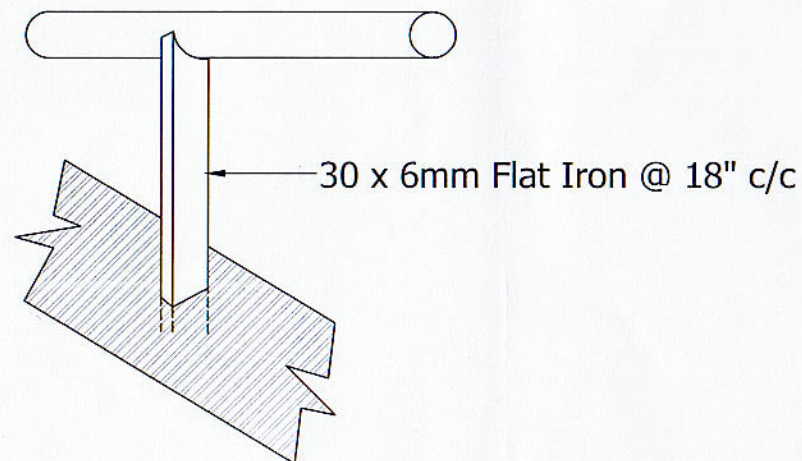


**STAIR CASE HANDRAIL DETAIL
TYPE - 2**



**STAIR CASE HANDRAIL DETAIL
TYPE - 3**



REV. NO.	DESCRIPTION	DATE	SIGNATURE
NAME OF THE PROJECT :			
PROPOSED DETAIL DRAWINGS			
DRAWING TITLE :			
HAND RAIL DETAILS			
CONNECTED DRAWING NOS.			
CONSULTANCY DIVISION ENGINEERING ORGANIZATION. WESTERN PROVINCE PROVINCIAL COUNCIL 204, DENCIL KOBBEKADUWA MAWTHA BATTARAMULLA			
DESIGNED BY	NAME		
	SIGNATURE		
CAD BY :	CHECKED BY :		
DEEPTHI UDARI	<i>[Signature]</i>		
ARCHITECT	DIRECTOR (ENGINEERING)		
	<i>[Signature]</i>		
SCALE : 2 FEET TO AN INCH	DATE : 2020.07.10		
DRG.NO. : AR/DETAIL DRG/2010/01/10	SHEET NO. : 03		